

BEDLOCKER®

ELECTRIC RETRACTABLE TRUCK BED COVER

FORD EXPLORER SPORT TRAC INSTALLATION INSTRUCTIONS



#1 RETRACTABLE TRUCK BED COVER

(800) 338-3697

www.paceedwards.com

Pace Edwards Company
2400 Commercial Blvd.
Centralia WA 98531

TABLE OF CONTENTS

Tools Required for Assembly	2
Before You Start	2
Drain Hole Locations	2
STEP 1: Remove Contents from Box	2
Packaging Contents	2
STEP 2: Install Wiring Harness	3
STEP 3: Place Canister Install Foam	3
STEP 4: Install Rails.....	4
STEP 5: Installing Clamps.....	4
STEP 6: Final Canister Positioning	5
STEP 7: Installing Drain Tubes.....	6
STEP 8: Install Top Cover	6
Helpful Maintenance Hints	6
Warranty Statement.....	7

Part #: BL EXPL SPORT TRAC INSTALL 056
CANISTER PART # BL2024

TOOLS REQUIRED FOR ASSEMBLY:

7/16" wrench or socket #2 Phillips screwdriver Wire cutters
 3/8" wrench or socket Tape measure

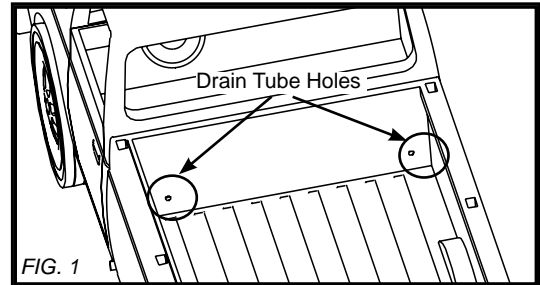
Note: There should be no drilling into the truck body needed on most standard or full-size trucks .

BEFORE YOU START:

Read the instructions carefully before you start. These instructions are written for one-person installation. We have noted where briefly having an extra person's assistance can make installation easier. If you have questions regarding the installation please call our Technical Support Line at (800) 338-3697.

DRAIN HOLE LOCATIONS:

The BedLocker is designed to carry rainwater from the cover into the canister and then out through the drains. Most truck models have standard OE drain holes or plastic/rubber access ports in the front of the truck bed. Check to make sure your truck has the OE drain holes so that drilling into the sheet metal is not required. If drilling is necessary, be sure to check the underside of the truck bed for the best location. The holes should be located near the side and as far forward as possible. Use a drill bit suitable for sheet metal (such as a taper drill or step drill). Drill drain tube clearance holes at 3/4" (19mm). This will need to be done before installing the cover.

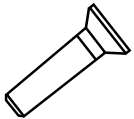


OPTIONAL WIRING HARNESS FOR DASHBOARD SWITCH:

The BedLocker also offers an optional wire harness (**part # BL1120**) to manually operate the tonneau cover from inside the cab of your truck. This harness is designed to plug into the custom-built electronics control box. Simply run the wire to the cab and attach under the dash in a suitable location.

STEP 1: REMOVE CONTENTS & PLYWOOD PACKAGING

HARDWARE USED:



RAIL GUIDE BOLT x 4

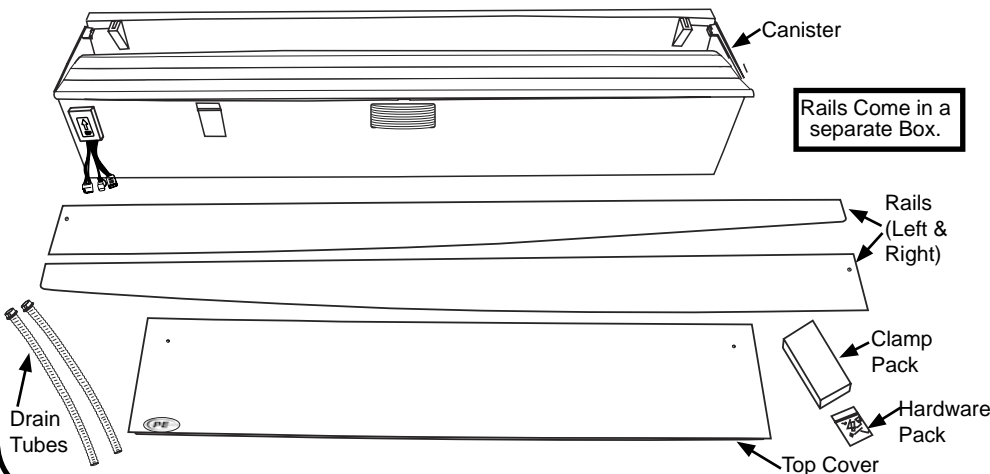
Remove the canister and top cover from the box.

Remove components from inside the canister. Perform a quick inventory to insure all parts are there.

Using the wrench or socket remove the 2 bolts holding the plywood packaging supports on the ends of the canister. Discard plywood packaging supports and bolts.

Locate the rail guide bolts in the hardware pack and install them in the two holes where the packaging bolts and plywood were just removed. Repeat on both ends of the canister.

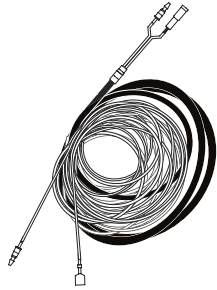
PACKAGING CONTENTS:



DO NOT USE A KNIFE TO OPEN THE RAIL BOX.
OPEN THE RAIL BOX ALONG THE LENGTH OF THE BOX AND LIFT RAILS OUT TO AVOID SCRATCHING THE SURFACE OF THE RAILS ON THE PACKAGE STAPLES.

STEP 2: INSTALL WIRING HARNESS

HARDWARE USED:



WIRE HARNESS x 1



ZIP TIES x 5

(If the optional wire harness **Part# BL1120** is used, you may want to tape it to the main harness to ease having to pull them through the stake pocket separately).

From inside the truck bed push the long wire harness end **without** the plug through the stake pocket on the drivers side of the truck and out the underside of the truck bed box.

Leave a couple of feet of slack inside the box for mounting the electronics.

Route the wire harness under the truck and to the battery in the engine compartment.

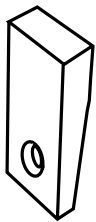
Attach the fuse holder to the end of the Red/positive wire.

(Do not attach to battery yet)

Secure the harness with wire ties provided.

STEP 3: INSTALL FOAM, FRONT RAIL BLOCKS & PLACE CANISTER

HARDWARE USED:



FRONT RAIL BLOCK x 2



1/4" FLAT WASHER x 2



1/4" LOCK WASHER x 2



FRONT RAIL BLOCK BOLT x 2



RIGID FOAM x 1

Use the washers, lock washers and bolts provided and attach a front rail block to each side of the truck bed in the existing OE threaded holes approximately 4 inches from front of truck bed. Place the Front Rail Block angled side down against the truck bed. Place the Front Rail Blocks so that the top is level with the bed rail, then tighten securely (*Figure 3A*)

You will need one or two support pieces (We suggest using the top of the box the Bedlocker was shipped in) to set in the truck bed.

Set the support piece approximately one foot from the cab.

Set the Canister on the support(s) in the truck bed. The canister should be resting on the support piece, centered in the truck bed, raising the top of the canister above the bed rails by 2-3 inches.

Measure the height from the top of the front sill of your truck bed to the top of the truck bed rails (or rail covers).

Peel and attach the correct thickness of rigid foam stripping under the 1.0" lip of the Bedlocker canister on the forward (**Cab**) side of the canister (Between the truck bed sill and canister).

This foam will reduce any sag and ensure a consistent level between the canister and the rails.

Firmly Hold the ribbed blanket and cut the zip tie.

(Do not let the blanket roll back on itself or the underside on the first three ribs can damage the visual surface of the other rolled ribs).

Remove all of the vinyl sheeting protecting the blanket.

Pull the blanket out about 1 foot from the canister and let it hang.

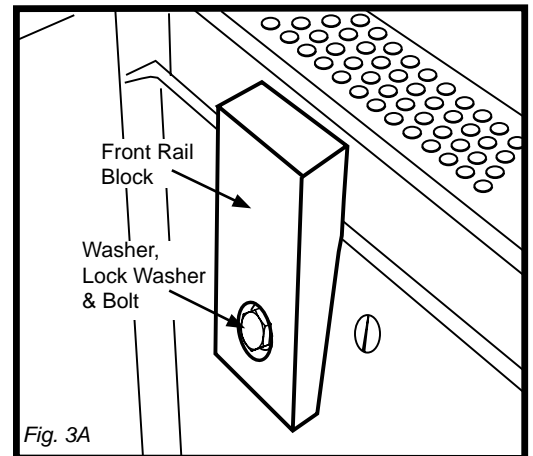
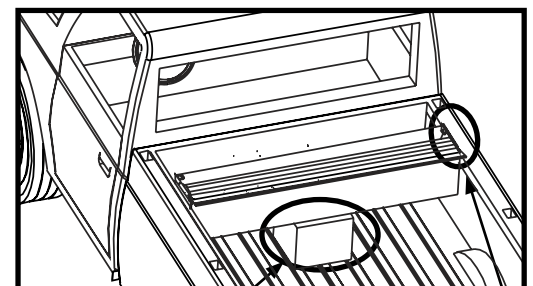


Fig. 3A



Support Piece

Top of Canister should clear Truck Bed Rails by 2-3"

STEP 4: INSTALLING RAILS

The machined end of the rail attaches to the canister.

You will need to lift the hanging portion of the ribbed blanket and thread it in the rail while sliding the rail into the rail grip mounted to the ends of the canister (***the underside of the blanket ribs need to nest on the gear***).

Make sure both flanges of rail slide into the rail grip.

Push the rails forward against the canister.

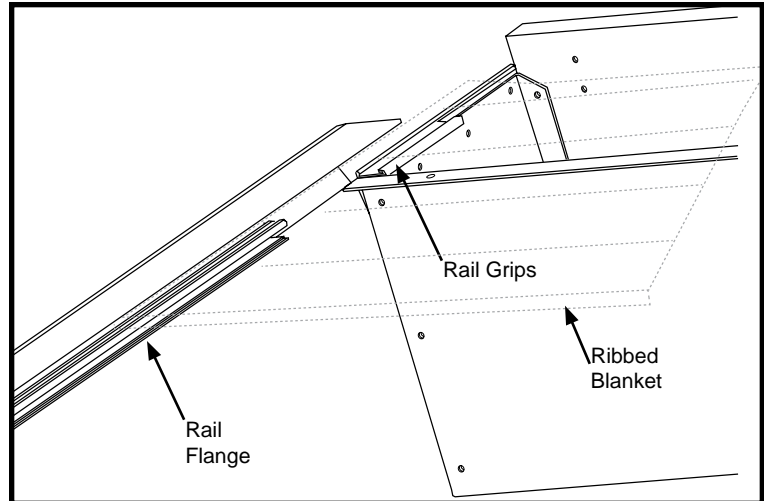
Complete for both left and right rails.

Remove the support or stand and lower the canister and rail assembly onto the front sill and rails of the truck bed.

Slide the entire canister and rail assembly forward against the cab end of the truck bed.

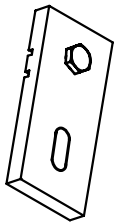
Close the tailgate and pull the rails only toward it leaving approximately 1/8" gap between the end of the rails and the tailgate.

Be sure to hold the canister in place to ensure it does not move from the front truck bed sill with the rails while adjusting the gap of the rails to the tailgate.

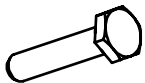


STEP 5: INSTALLING CLAMPS

HARDWARE USED:



REAR CLAMP BLOCK x 2



1/4-20 x 3/4" STOP BOLT x 2



1/4" FLAT WASHER x 2



1/4" LOCK WASHER x 2



FRONT RAIL BLOCK SCREW x 2



PLASTIC SHIMS x 4

Install the rear clamps as shown (*Figure 5A*) using the OE holes at the rear of the truck bed.

Locate the lower groove of rear clamp block onto the lip of the rail bracket.

Tighten against the truck bed rail.

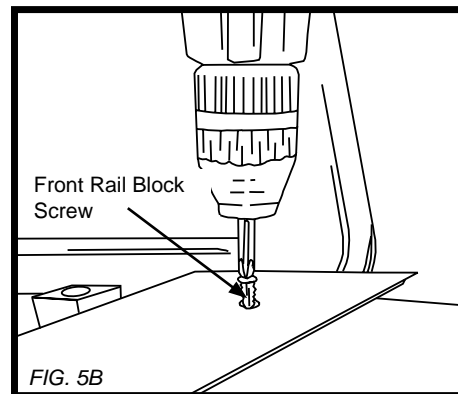
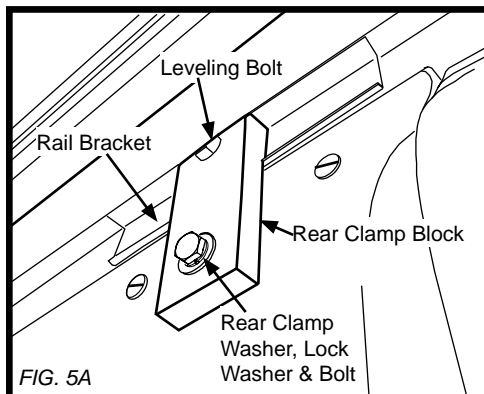
The 1/4-20 bolt at the top of the clamp can be used to level the rail by turning the bolt out to apply pressure against the rail.

Tighten bolts securely. (*Adjust pressure against tailgate by moving rails forward or backward as needed prior to final tightening of clamps.*)

With rear clamps in place, make sure the canister is centered from side-to-side.

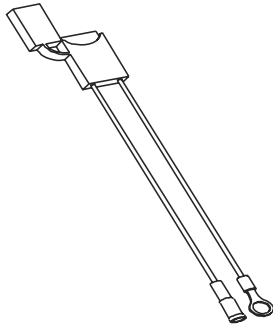
Using the two black screws provided, screw through the rails into the front rail block (*Figures 3A & 5B*).

If needed, add shims (included) on front rail block to level the rails.



STEP 6: FINAL CANISTER POSITIONING

HARDWARE USED:



FUSE HOLDER W/ 10 AMP
FUSE x 1



4-BUTTON REMOTE
KEY FOB x 2

The electronics box has been pre-mounted to the front of the canister.

Connect the battery harness into the electronics box battery harness plug (**also connect the optional manual switch harness, if installed**)

The plugs cannot be plugged together incorrectly.

Release the antenna so that it can hang freely.

Attach the Red (positive) and Black (negative) wires to the battery or the truck manufacturers suggested connection points at this time.

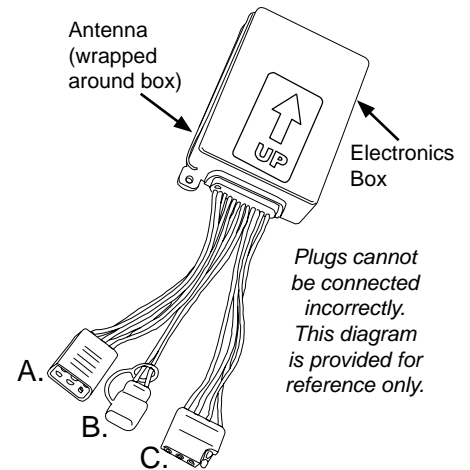
Unit is now ready to operate.

Press the Open button to open cover and press the Close button to shut the cover.

To operate the light, hold the light On/Unlock button for 3 seconds, to turn off hold light Off/Lock button for 3 seconds. (The light has a 5-minute time-out, as well, if you forget to turn it off).

If optional door lock circuit is hooked up, the light Off/Lock button will activate the door lock cycle and the light On/Unlock button will activate the door unlock cycle. (**Lock and Unlock will activate immediately when pushing the button**).

The black box contains a spare 15-amp blade mini-fuse.



Plugs cannot be connected incorrectly. This diagram is provided for reference only.

WIRING DIAGRAM

A. Canister Harness

Blue...Close

Green...Open

Black...Brake – hot or ground

Black...Brake – hot or ground

Black...Cargo Light - Ground

White...Cargo Light – constant pwr

B. Optional Manual Switch Harness

Gray...Open

Violet...Closed

C. Battery Harness

Red...Power

Black...Ground

White w/ Green...Door Unlock

White w/ Red...Door Lock

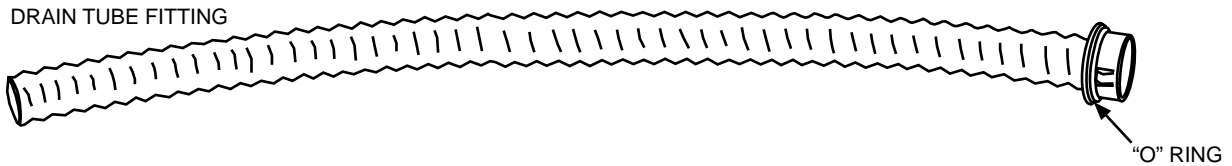
WARNING: THE ELECTRONICS BOX IS WATER RESISTANT-NOT WATERPROOF. AVOID DIRECT PRESSURIZED SPRAY THAT CAN PENETRATE THE INSIDE. MAKE SURE PLUG IS INSERTED INTO THE PROGRAMMING HOLE.

STEP 7: INSTALLING DRAIN TUBES

First ensure that the "o" ring is in place on the drain tube end being inserted into the canister (This will prevent water leakage).

With the cover *opened*, insert the drain tube fittings into the pre-drilled holes on the underside of the canister by pushing them in place from under the canister. Drain tube should click into place.

Place the other end of the drain tube through the grommet or through the pre-drilled holes in the floor or the front wall of the truck bed.



STEP 8: ATTACHING TOP COVER

HARDWARE USED:



BLACK TOP COVER
SCREW x 2

Place the top cover on the canister opening and install the (2) Black Top Cover Screws into the attachment blocks mounted to the inside of the canister.

Hold the top cover tight against the cab side of the box while tightening.

(The top cover can be adjusted slightly to align evenly with the ribbed blanket)

You have now completed the installation of the Bedlocker Electric hard tonneau cover. If you have any questions please do not hesitate to call us at: (800) 338-3697 and ask for our technical service department.

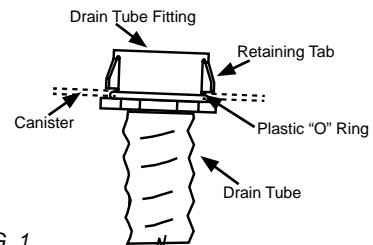
HELPFUL MAINTENANCE HINTS

After installation, if the cover is tight or hard to open and close, the shimming may need to be re-adjusted.

Periodically remove the Top Cover and clean out the canister.

Drain tubes may become clogged overtime and should be removed and cleaned. To remove the drain tubes you must; Remove the Top Cover, close the cover to the tailgate, reach in the canister and depress the plastic retaining tabs on the drain tube fittings and push the drain tube out of the hole in the bottom of the canister. (Fig. 1)

To help keep the Bedlocker retractable tonneau cover looking its best, we recommend washing it the same as caring for your truck finish. However due to the hammer texture, removal of wax can be difficult so you should not wax your cover.



CONGRATULATIONS!

On your purchase of a Pace Edwards Retractable Truck Bed Cover. We are confident that you will get many years of trouble free service from this accessory to your truck. Please take a moment to fill out the warranty registration form to activate warranty coverage of your truck bed cover.

PACE EDWARDS PRODUCT WARRANTY

PACE EDWARDS (hereinafter referred to as the MFG.) warrants each new Pace Edwards Bedlocker®, JackRabbit®, Full-Metal-JackRabbit™, and Roll-Top-Cover® retractable truck bed cover to the original owner as follows:

FOR A PERIOD OF THREE (3) YEARS FROM THE DATE THE UNIT IS DELIVERED TO THE FIRST PURCHASER OR PLACED INTO SERVICE AS A DEMONSTRATOR OR COMPANY UNIT:

- Delamination of the ArmorTek deck
- Separation of the Bedlocker/Full Metal deck panels
- Failure of the Continuous Tension Spring
- Failure of the Bedlocker drive system
- All lock assemblies
- All hardware and components

ITEMS NOT COVERED UNDER WARRANTY FOR ANY PERIOD OF TIME:

- Rips, tears, or discoloration of the ArmorTek deck material
- Seals and gaskets
- Water intrusion from any source
- Dealer and/or purchaser installed parts and accessories

CERTAIN CONDITIONS WILL VOID ALL WARRANTY.

These conditions include:

- Use for any purpose other than normal private use including rental and promotion
- Altering the retractable truck bed cover in any manner without written approval of the MFG
- Misuse, negligence or accident
- Installation of any part or accessory without written approval from the MFG
- Failure to register this warranty with the MFG within fourteen (14) days from date of delivery

CLAIM PROCEDURE

If a part fails, the purchaser should return to the selling dealer to determine if the failed part is covered under the terms of this warranty. If a Warranty Claim is necessary, the dealer will contact Pace Edwards to obtain A Return Goods Authorization. If it is impractical for the purchaser to return to the selling dealer, then the purchaser may contact the Pace Edwards Technical Assistance Help Desk at 1-800-338-3697 to determine warranty eligibility. In either event, it is the responsibility of the purchaser to obtain a Return Goods Authorization prior to returning the defective part to the MFG. The defective part, along with a copy of the original Bill of Sale and the Pace Edwards issued RGA #, must be returned PREPAID to Pace Edwards Co. 2400 Commercial Blvd. Centralia, WA 98531. After determining the validity of the warranty claim, PACE EDWARDS will ship a replacement part prepaid to the customer. Labor costs to replace defective parts are the responsibility of the purchaser.

CONDITIONS AND LIMITATIONS

This warranty is subject to certain conditions and limitations including, but not limited to, the following:

- Any part of a Pace Edwards retractable truck bed cover that is found to be defective under the terms of this warranty will be repaired or replaced using either new or reconditioned parts at the discretion of the MFG.
- In determining what constitutes a failure under the terms of this warranty the decision of the MFG shall be final.
- This warranty is extended to the original purchaser only and is not transferable to subsequent purchasers.
- The MFG does not accept any responsibility in connection with the installation of any of its products by its dealers or agents.
- The MFG does not undertake responsibility to any purchaser for warranty express or implied by any of its dealers, distributors or agents beyond that which is contained herein.
- Without regard to an alleged defect of its products the MFG under any circumstances does not assume responsibility for loss of time, inconvenience, revenue, or other consequential damage including, but not limited to, expenses for telephone, food, lodging, travel, loss or damage to the vehicle the products are installed on or loss or damage to personal property of the purchaser or user of the products.
- The MFG reserves the right to make changes in the design of, improvements to, or warranty of its products without imposing any obligation upon itself to provide the same for any products theretofore manufactured.

Some jurisdictions do not allow limitations on or exclusions to warranties, therefore some of the exclusions may not apply to you. This warranty affords you specific legal rights. You may have other legal rights that may vary from jurisdiction to jurisdiction.

WARRANTY REGISTRATION

Please return this completed warranty registration within 14-days to:
Or go online and register your warranty at: www.paceedwards.com/reg.asp

Pace Edwards
Attn: Warranty Dept.
2400 Commercial Blvd.
Centralia, WA 98531



NAME: _____

ADDRESS: _____

CITY: _____ PROV./STATE: _____ PC/ZIP: _____

MODEL #: _____ SERIAL #: _____

DATE OF PURCHASE: _____ PURCHASED FROM: _____ PRICE PAID: _____

CUSTOMER SIGNATURE: _____

2400 Commercial Blvd, Centralia, WA 98531 USA
(360) 736-9991 (main) ♦ (360) 736-9992 (fax)
(800) 338-3697 (toll-free)
www.paceedwards.com

Thank you for choosing products by...



#1 RETRACTABLE TRUCK BED COVER